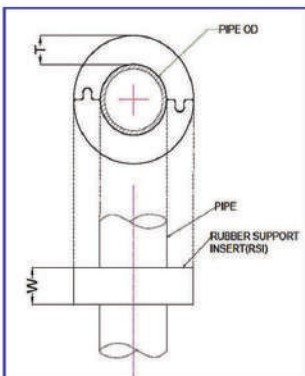
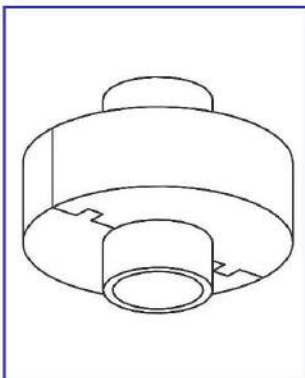
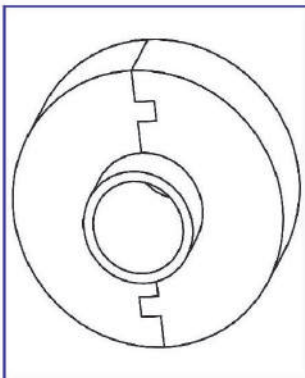


Rubber Support Insert



TEST STANDARDS (Table No: B-14-01)

Sl. No.	Physical Properties	Test Standard	Unit	Specification
01	Hardness	ISO 7619	Shore A	85 +/- 3
02	Specific Gravity		g/cm ³	(1.3 +/- 0.1)*
03	Tear Strength	ASTM D 624	Kgs/cm	22 min
04	Applicable Temp.	Range -30 deg to 80 deg		
05	Other Properties	Excellent resistance to water, mild acid and alkalis		
06	Tensile Strength	ISO 37	Kgs/cm ²	52 minium
07	Thermal Conductivity		w/m ⁰ C	0.16

- * Optionally 1.6 g/cm³ available on Request
- Fire Resistant Grade also available on Request



1. Compliance:

British Standards, BS 3974 : Part I

2. Material :

Compounded Rubber

3. Application :

Effective means of preventing crushing of insulation at pipe support points of chilled water, condenser water and domestic hot / cold water installation.

4. Features :

- 4.1 Dimensional accuracy is ensured since each set is individually machine moulded.
- 4.2 Green Product.
- 4.3 Product is extremely rigid. Hence resistant to deterioration over a period of time.
- 4.4 Unlike wood, material is non corrosive.
- 4.5 Lower installation cost due to lack of requirement of additional metal sheets for wider load distribution.
- 4.6 Termite control not required.
- 4.7 Tongue and groove arrangement between RSI inserts saves labour cost and time.
- 4.8 Rubber pipe supports also provide an acoustic barrier against transmission of high frequencies.
- 4.9 Rubber support inserts are available for all pipe size and insulation thickness and are integrated with our various type of pipe supports to ensure fast and quality pipe installation.

5. Selection / Ordering :

- 5.1 Nominal pipe size, Pipe OD and insulation thickness.
- 5.2 Refer table for details.



RUBBER SUPPORT INSERT SELECTION TABLE (Table No.: B-16-01)



Pipe Size		Pipe Size		Standard Width
Steel (Nominal)	Part No.	Copper (OD)	Part No.	
		16 mm	RSIC16	25 mm
½"	RSIS21	22 mm	RSIC22	25 mm
¾"	RSIS27	28 mm	RSIC28	25 mm
1"	RSIS33	35 mm	RSIC35	25 mm
1 ¼"	RSIS42	42 mm	RSIC42	25 mm
1½"	RSIS48			25 mm
		54 mm	RSIC54	25 mm
2"	RSIS60			25 mm
		67 mm	RSIC67	25 mm
		73 mm	RSIC73	25 mm
2½"	RSIS73	76 mm	RSIC76	38 mm
		80 mm	RSIC80	38 mm
3"	RSIS89			38 mm
		105 mm	RSIC105	38 mm
		108 mm	RSIC108	38 mm
4"	RSIS114			38 mm
5"	RSIS141	140 mm	RSIC140	38 mm
		156 mm	RSIC156	38 mm
		159 mm	RSIC159	38 mm
6"	RSIS168			50 mm
		168 mm	RSIC168	50 mm
8"	RSIS219	219 mm	RSIC219	50 mm
10"	RSIS273			50 mm
12"	RSIS324			50 mm
14"	RSIS356			50 mm
16"	RSIS406			75 mm
18"	RSIS457			75 mm
20"	RSIS508			100 mm
24"	RSIS610			100 mm
30"	RSIS762			100 mm
36"	RSIS914			100 mm
40"	RSIS1016			100 mm

Note:

- Due to policy of continual improvement, the specifications are subject to change without prior notice.
- Measurements are subject to 5% tolerance.
- To achieve good sound suppression, do not overload fitting.

