

## Neoprene Hanger

### 1. Compliance:

- 1.1 Designed to BS 1726 -1 : 1987
- 1.2 Tolerance to BS 1726-1 : 2002
- 1.3 SAE and Ashrae Guidelines for Vibration Isolation

### 2. Application:

Neoprene Hangers are recommended for the isolation of vibration produced by suspended Mechanical Equipment less than 15 kw, such as exhaust fans, duct work, Fan Coil Units, Piping etc... These are especially recommended to isolate sources of audible frequency of vibration where static deflection requirement is upto 13 mm.

### 3. Product Features:

- 3.1 Frame is made of G.I. steel and powder coated to 100 microns paint thickness (exceeds 1000 hours of salt spray test) and conforming to ASTM B-117.

Option : Frame Hot Dip Galvanised. Part Number prefix with "HDG".

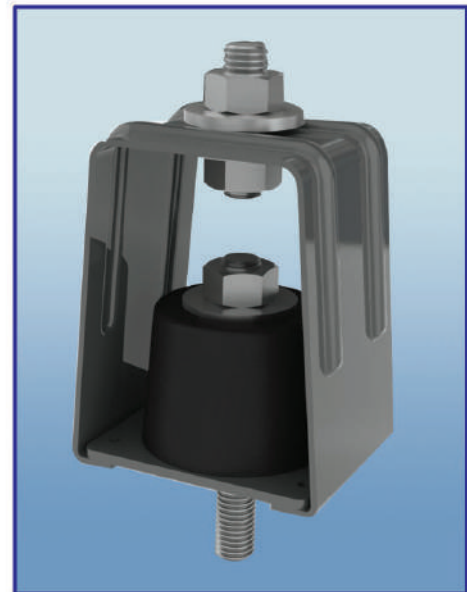
- 3.2 Rubber Mount is designed with hollow conical section thus ensuring loading of rubber in shear as well as compression mode and hence provides better isolation performance.
- 3.3 Hanger Cage is designed to accommodate suspension rod misalignment upto 30°
- 3.4 Colour coded to facilitate easy identification
- 3.5 Steel Brackets are fail safe upto 500% overloading
- 3.6 Elastomer inserts are moulded from Oil Resistant Compounds

### 4. Selection / Ordering:

Point load (Calculated to include all variables such as weight of water in pipe lines etc if applicable).

### 5. Installation Guide lines:

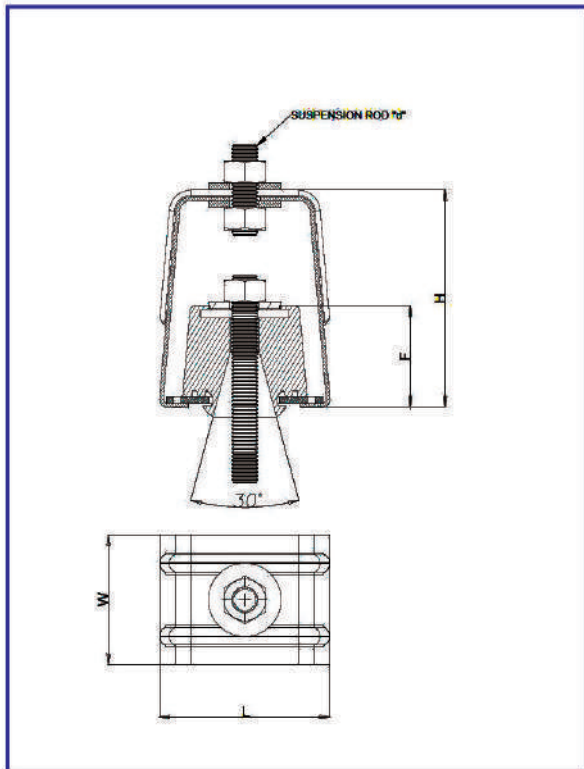
Included in packaging.



**SELECTION TABLE (Table No: C-22-01)**

Model	Colour Code	Rated Load (kg)	Rated Deflection(mm)	Dimensions (mm)				
				L	W	H	F	d
SNH-A-R	Red	18	8	65	50	80	35	M8
SNH-A-G	Green	35						
SNH-A-B	Blue	50						
SNH-B-R	Red	100	10	77	60	100	48	M10
SNH-B-G	Green	140						
SNH-B-B	Blue	200						
SNH-C-R	Red	250	10	94	80	145	73	M12
SNH-C-G	Green	350						
SNH-C-B	Blue	500						
SNH-D-R	Red	600	13	107	95	180	90	M12
SNH-D-G	Green	700						
SNH-D-B	Blue	900						

## Neoprene Hanger



**Note:**

- Due to policy of continual improvement, the specifications are subject to change without prior notice.
- Measurements are subject to 5% tolerance.
- To achieve good sound suppression, do not overload fitting.

