

## Combination Spring Hangers - Light Duty

### 1. Compliance:

- 1.1 Designed to BS 1726 -1 : 1987
- 1.2 Tolerance to BS 1726-1 : 2002
- 1.3 SAE and Ashrae Guidelines for Vibration Isolation

### 2. Application:

Generally for light duty applications like small fans, humidifiers, variable air volume boxes, small fan coil units, small size piping and air ducting in mechanical rooms.

### 3. Product Features:

- 3.1 Double protection against transmission of noise to structures is assured as the neoprene component provides an effective acoustic barrier and the moulded neoprene cup below the spring prevents metal to spring contact, thus effectively isolating the suspended equipment from the structure.
- 3.2 Spring diameter to height ratios are designed to ensure that spring will never buckle even when fully loaded.
- 3.3 Suspension rod misalignment (30 degree arc) is compensated in hanger design.
- 3.4 Locking rubber bush centralizes the spring and prevents dislocation.
- 3.5 Springs are powder coated with appropriate color coding to facilitate identification.
- 3.6 Frame is made of G.I. steel and powder coated to 100 microns paint thickness (exceeds 1000 hours of salt spray test) and conforming to ASTM B-117.

#### Options:

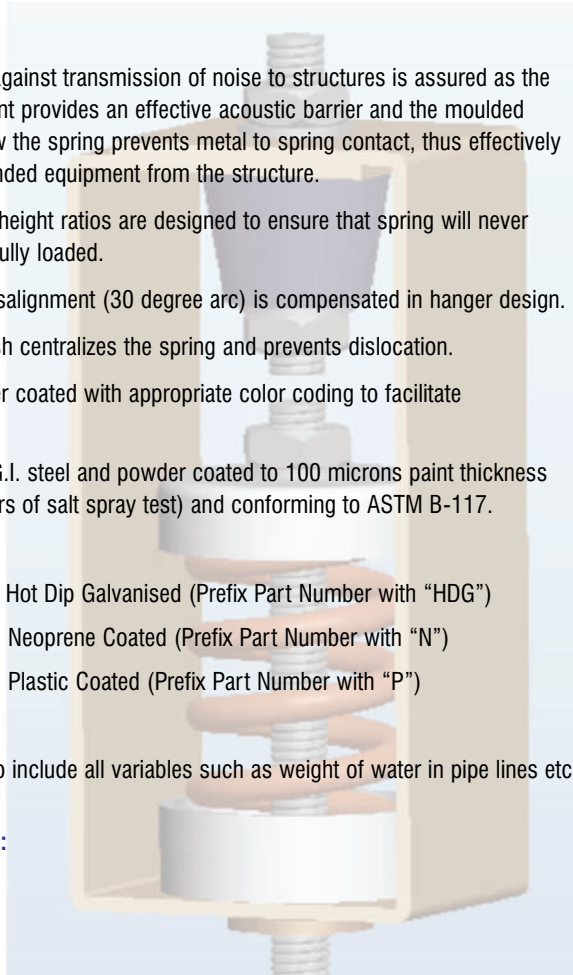
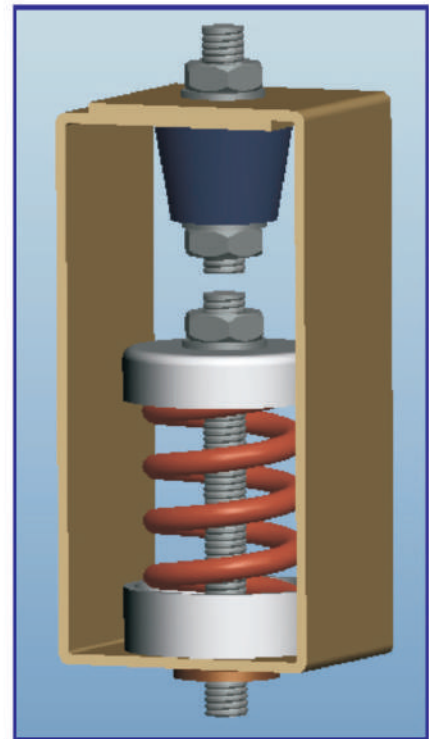
- 1) Frame Hot Dip Galvanised (Prefix Part Number with "HDG")
- 2) Spring Neoprene Coated (Prefix Part Number with "N")
- 3) Spring Plastic Coated (Prefix Part Number with "P")

### 4. Selection / Ordering:

Point load (Calculated to include all variables such as weight of water in pipe lines etc if applicable).

### 5. Installation Guide lines:

Included in packaging.

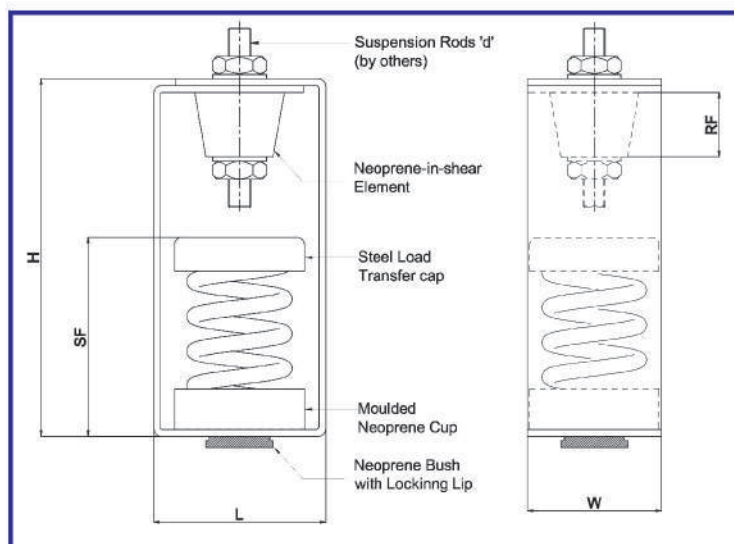


## SELECTION TABLE FOR COMBINATION SPRING HANGERS - LIGHT DUTY (Table No: C-17-01)

Isolator Model	Rated Deflection	Rated Load (kg)	Spring Colour	Dimensions (mm)					
				L	W	SF*	RF	H	d (max)
SCSHL-M6	13 mm	6	Green	58	50	44	30	100	M10
SCSHL-M9		9	Red						
SCSHL-M15		15	Black						
SCSHL-M21		21	Yellow						
SCSHL-M28		28	Blue						
SCSHL-P6	25 mm	6	Green	58	50	64	30	120	M10
SCSHL-P9		9	Red						
SCSHL-P15		15	Black						
SCSHL-P21		21	Yellow						
SCSHL-P28		28	Blue						
SCSHL-P35		35	Grey						
SCSHL-P50		50	Orange						

\* Represents average free height in each grouping of models. Height of some models in group may vary slightly from this figure.

### Combination Spring Hangers - Light Duty



**Note:**

- Due to policy of continual improvement, the specifications are subject to change without prior notice.
- Measurements are subject to 5% tolerance.
- To achieve good sound suppression, do not overload fitting.



## Combination Spring Hanger 25 mm & 50 mm Standard Deflection

### 1. Compliance:

- 1.1 Designed to BS 1726 -1 : 1987
- 1.2 Tolerance to BS 1726-1 : 2002
- 1.3 SAE and Ashrae Guidelines for Vibration Isolation

### 2. Application:

- 2.1 Generally used for suspension of heavy rotating equipment, for example Air Handling Units, Fan Coil Units, Ventilation Fans, Large Variable Air Volume Boxes, Pipes and air ducts in Mechanical Rooms.
- 2.2 These are highly effective when vibrations of high frequency and large amplitude are present.

### 3. Product Features:

- 3.1 Double protection against transmission of noise to structures is assured as the neoprene component provides an effective acoustic barrier and the moulded neoprene cup below the spring prevents metal to spring contact, thus effectively isolating the suspended equipment from the structure.
- 3.2 Spring diameter to height ratios are designed to ensure that spring will never buckle even when fully loaded.
- 3.3 Suspension rod misalignment (30 degree arc) is compensated in hanger design.
- 3.4 Locking rubber bush centralizes the spring and prevents dislocation.
- 3.5 Springs are powder coated with appropriate color coding to facilitate identification.
- 3.6 Frame is made of G.I. steel and powder coated to 100 microns paint thickness (exceeds 1000 hours of salt spray test) and conforming to ASTM B-117.

Options:

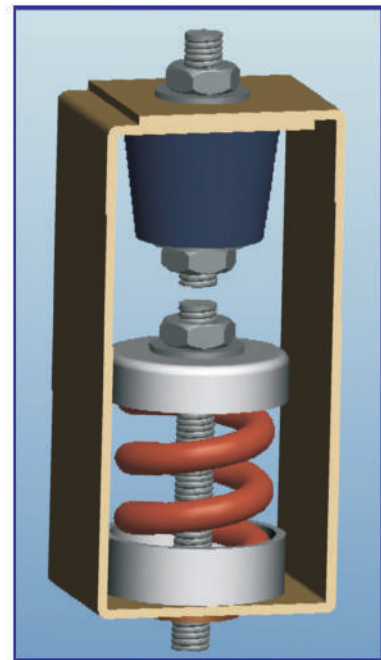
- 1) Frame Hot Dip Galvanised (Prefix Part Number with "HDG")
- 2) Spring Neoprene Coated (Prefix Part Number with "N")
- 3) Spring Plastic Coated (Prefix Part Number with "P")

### 4. Selection / Ordering:

Point load (Calculated to include all variables such as weight of water in pipe lines etc if applicable).

### 5. Installation Guide lines:

Included in packaging.

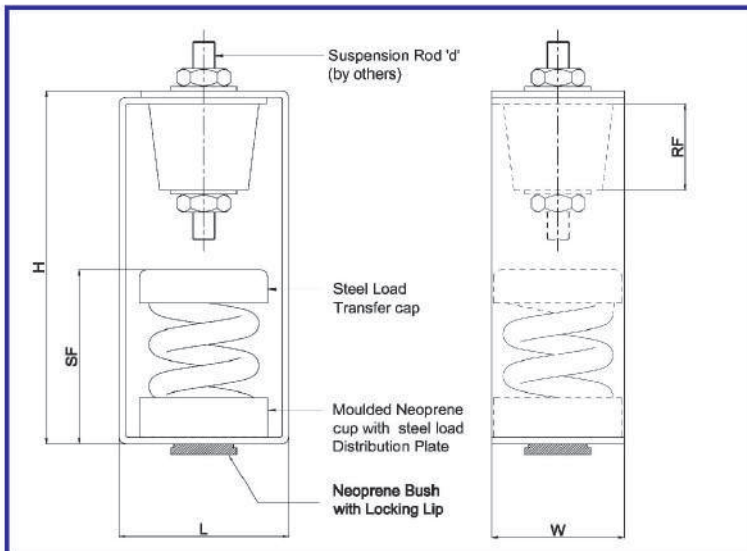


## SELECTION TABLE FOR 25 MM DEFLECTION COMBINATION SPRING HANGERS (Table No: C-19-01)

Isolator Model	Rated Load (kg)	Spring Colours	Dimensions (mm)					
			L	W	SF*	RF	H	d
SCSH-A25	25	Green	77	60	76	39	160	M10
SCSH-A50	50	Black						
SCSH-A75	75	Yellow						
SCSH-A100	100	Blue	77	60	84	39	160	M10
SCSH-A150	150	Grey						
SCSH-A200	200	Orange						
SCSH-B200	200	Black	77	60	93	46	190	M12
SCSH-B250	250	Yellow						
SCSH-B300	300	Blue						
SCSH-B400	400	Grey	94	80	110	73	250	M16
SCSH-C400	400	Brown						
SCSH-C500	500	Grey						
SCSH-C600	600	Orange	94	80	130	73	295	M22
SCSH-C700	700	Green						
SCSH-C800	800	Pink						
SCSH-C1000	1000	White						
SCSH-C1200	1200	Purple						

\* Represents average free height in each grouping of models. Height of some models in group may vary slightly from this figure.

### Combination Spring Hanger 25 mm Standard Deflection



**Note:**

- Due to policy of continual improvement, the specifications are subject to change without prior notice.
- Measurements are subject to 5% tolerance.
- To achieve good sound suppression, do not overload fitting.

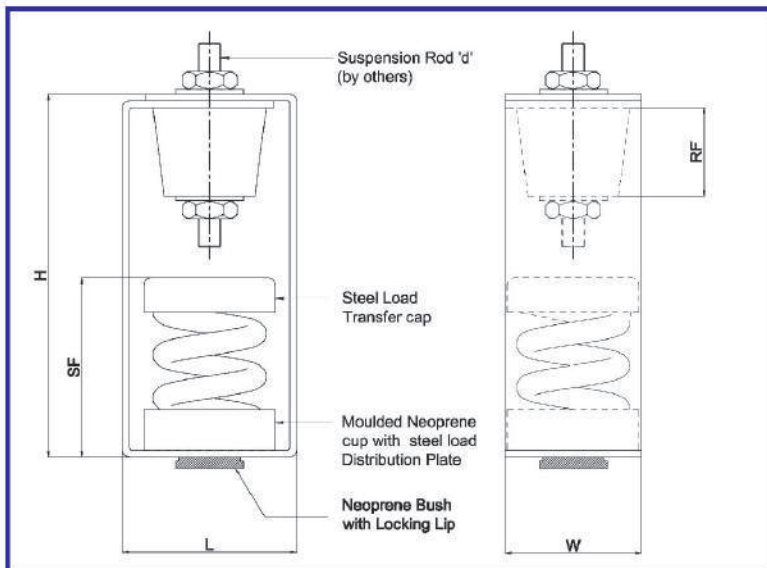


## SELECTION TABLE FOR 50 MM DEFLECTION COMBINATION SPRING HANGERS (Table No: C-20-01)

Isolator Model	Rated Load (kg)	Spring Colours	Dimensions (mm)					
			L	W	SF*	RF	H	d
SCSH50-B25	25	Green	77	60	118	46	215	M12
SCSH50-B50	50	Red						
SCSH50-B75	75	Black						
SCSH50-B100	100	Yellow						
SCSH50-B150	150	Blue						
SCSH50-C200	200	Green	94	80	127	73	270	M16
SCSH50-C250	250	Red						
SCSH50-C300	300	Black	94	80	135	73	270	M16
SCSH50-C400	400	Yellow						
SCSH50-C500	500	Black/Green						
SCSH50-C600	600	Yellow/Green						
SCSH50-G700	700	Black	107	95	163	73	315	M20
SCSH50-G800	800	Yellow						
SCSH50-G1000	1000	Blue						
SCSH50-G1200	1200	Blue/Green	107	95	163	73	335	M24
SCSH50-G1400	1400	Blue/Brown						

\* Represents average free height in each grouping of models. Height of some models in group may vary slightly from this figure.

### Combination Spring Hanger 50 mm Standard Deflection



**Note:**

- Due to policy of continual improvement, the specifications are subject to change without prior notice.
- Measurements are subject to 5% tolerance.
- To achieve good sound suppression, do not overload fitting.

