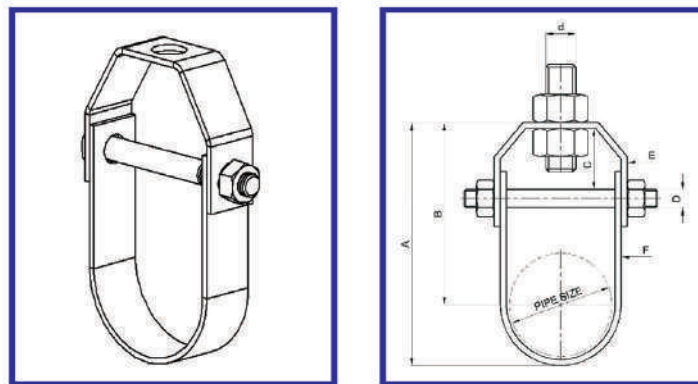


Clevis Hanger



SELECTION TABLE (Table No: B-05-01)

Model	Steel Pipe Nominal	Dimensions in mm							Max. Load (Kg)
		A	B	C (Adjustment)	D	D	E	F	
CHS 25	1"	80	60	20	M6	10	2 x 20	2 x 20	250
CHS 30	1¼"	90	65	20	M6	10	2 x 20	2 x 20	250
CHS 40	1½"	100	75	25	M6	10	2 x 20	2 x 20	250
CHS 50	2"	120	85	30	M6	10	2 x 20	2 x 20	250
CHS 65	2½"	145	105	35	M8	12	3 x 25	3 x 25	350
CHS 75	3"	170	120	45	M8	12	3 x 25	3 x 25	350
CHS 88	3½"	190	135	45	M8	12	3 x 25	3 x 25	350
CHS 100	4"	205	145	50	M10	12	5 x 25	3 x 25	500
CHS 125	5"	250	175	55	M12	16	5 x 30	3 x 30	650
CHS 150	6"	280	190	55	M12	16	5 x 30	5 x 30	650
CHS 200	8"	340	225	60	M16	20	5 x 38	5 x 38	950
CHS 250	10"	400	255	60	M16	22	6 x 38	5 x 38	1150
CHS 300	12"	460	285	60	M16	22	10 x 50	6 x 50	1700
CHS 350	14"	510	320	65	M20	24	10 x 50	8 x 50	1700
CHS 400	16"	565	350	70	M24	24	12 x 60	6 x 60	2200
CHS 450	18"	650	410	100	M24	24	12 x 60	6 x 60	2200
CHS 500	20"	725	460	100	M30	30	12 x 75	10 x 75	2400
CHS 600	24"	840	520	100	M30	30	16 x 75	10 x 75	2700
CHS 750	30"	1025	620	125	M36	30	20 x 75	10 x 75	3100
CHS 900	36"	1210	730	150	M36	30	20 x 75	10 x 75	4500

1. Compliance:

- 1.1 Federal Specification AS-A-1192 (Type 1)
- 1.2 MSS-SP58 (Type 1)
- 1.3 MSS-SP69
- 1.4 WW-H-171E (Type 1)
- 1.5 EG-ASTMB 633 SC3, BS 1706 FE / ZN 12

2. Application:

- 2.1 To achieve effective level installation of pipe lines.
- 2.2 Fire fighting and chilled water pipe work.
- 2.3 Independent suspension of large pipes.
- 2.4 Suspension of insulated or plain stationary piping.
- 2.5 Suitable for sound suppression in pipe lines.

3. Product Features:

- 3.1 Allows vertical level adjustment of pipe lines after installation.
- 3.2 Models CHS250 and above are fitted with steel spacer sleeve as standard.
- 3.3 Optional EPDM lined hangers are available to minimize condensation, improve noise attenuation and prevent contact between dissimilar metals.
- 3.4 Material : Mild Steel electro galvanized. Optional hot dip galvanized / stainless steel.

4. Selection / Ordering:

- 4.1 Bare piping : OD.
- 4.2 Insulated Piping : effective OD or pipe size plus insulation thickness.
- 4.3 Whether OnTides Rubber Support Inserts are proposed to be used.
- 4.4 Material Specs :
 - EPDM lined: (Suffix "R").
 - Epoxy powder coated finish (Suffix "EPC").
 - Hot dip galvanizes (Suffix "HDG")
 - Stainless Steel (Suffix "SS")

5. Installation Guide lines:

Suspension nuts to be provided with oversized washers and tighten properly to ensure proper hanger performance.

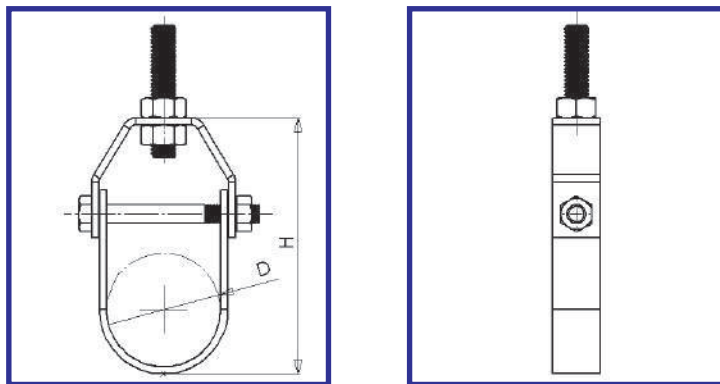


Note:

- Due to policy of continual improvement, the specifications are subject to change without prior notice.
- Measurements are subject to 5% tolerance.
- To achieve good sound suppression, do not overload fitting.



Clevis Hanger - Heavy Duty



SELECTION TABLE (Table No. 200215-01)

Part No.	Pipe Size Inches	Dimensions (mm)						Max Load LBS
		Upper Steel	Lower Steel	Rod Hole Size	Bolt Size	H	D	
SCHHD13	½"	3 x 25	3 x 25	10	M8 x 60	70	22	2710
SCHHD19	¾"	3 x 25	3 x 25	10	M8 x 68	76	28	2710
SCHHD25	1"	3 x 25	3 x 25	10	M8 x 78	82	35	2710
SCHHD32	1-1/4"	3 x 25	3 x 25	10	M8 x 82	92	42	2710
SCHHD38	1-1/2"	3 x 25	3 x 25	10	M8 x 88	100	48	2710
SCHHD51	2"	3 x 25	3 x 25	10	M10 x 110	117	60	2710
SCHHD64	2-1/2"	4 x 25	4 x 25	10	M10 x 125	146	73	5020
SCHHD76	3"	4 x 25	4 x 25	10	M10 x 140	155	89	5020
SCHHD89	3-1/2"	4 x 25	4 x 25	10	M10 x 155	173	105	5020
SCHHD102	4"	6 x 32	6 x 32	10	M10 x 170	198	115	6360
SCHHD127	5"	6 x 32	6 x 32	12	M12 x 195	232	140	6360
SCHHD152	6"	6 x 40	5 x 40	12	M12 x 225	266	168	8630
SCHHD203	8"	6 x 40	5 x 40	12	M12 x 275	338	219	8890
SCHHD254	10"	6 x 40	6 x 40	16	M16 x 360	419	273	16010
SCHHD305	12"	9 x 50	6 x 50	20	M20 x 420	490	323	16900
SCHHD356	14"	9 x 50	6 x 50	20	M20 x 455	556	355	18680
SCHHD406	16"	12 x 65	6 x 65	24	M24 x 510	610	406	20460
SCHHD457	18"	12 x 65	6 x 65	24	M24 x 555	675	457	21350
SCHHD508	20"	12 x 75	9 x 75	30	M24 x 610	715	508	21350
SCHHD610	24"	16 x 75	9 x 75	30	M24 x 710	850	610	21350
SCHHD762	30"	19 x 75	9 x 75	30	M24 x 890	995	755	26690

1. Compliance:

- 1.1 Federal Specification AS-A-1192 (Type 1)
- 1.2 MSS-SP58 (Type 1)
- 1.3 MSS-SP69
- 1.4 WW-H-171E (Type 1)
- 1.5 EG-ASTMB 633 SC3, BS 1706 FE / ZN 12

2. Application:

- 2.1 To achieve effective level installation of pipe lines.
- 2.2 Fire fighting and chilled water pipe work.
- 2.3 Independent suspension of large pipes.
- 2.4 Suspension of insulated or plain stationary piping.
- 2.5 Suitable for sound suppression in pipe lines.

3. Product Features:

- 3.1 Allows vertical level adjustment of pipe lines after installation.
- 3.2 Models CHS250 and above are fitted with steel spacer sleeve as standard.
- 3.3 Optional EPDM lined hangers are available to minimize condensation, improve noise attenuation and prevent contact between dissimilar metals.
- 3.4 Material : Mild Steel electro galvanized. Optional hot dip galvanized / stainless steel.

4. Selection / Ordering:

- 4.1 Bare piping : OD.
- 4.2 Insulated Piping : effective OD or pipe size plus insulation thickness.
- 4.3 Whether OnTides Rubber Support Inserts are proposed to be used.
- 4.4 Material Specs :
EPDM lined: (Suffix "R").
Epoxy powder coated finish (Suffix "EPC").
Hot dip galvanizes (Suffix "HDG")
Stainless Steel (Suffix "SS")

5. Installation Guide lines:

- 5.1 Suspension nuts to be provided with oversized washers and tighten properly to ensure proper hanger performance.



Note:

- Due to policy of continual improvement, the specifications are subject to change without prior notice.
- Measurements are subject to 5% tolerance.