

Cased Spring Mount

25 mm & 50 mm Standard Deflection

1. Compliance:

- 1.1 Designed to BS 1726 -1 : 1987
- 1.2 Tolerance to BS 1726-1 : 2002
- 1.3 SAE and Ashrae Guidelines for Vibration Isolation

2. Application:

Cased Spring Mounts are used for isolating floor mounted sources of noise and vibration near critically quiet areas. These mounts are combination of Neoprene and Spring. Hence it can isolate audible / inaudible noise and vibration produced from floor mounted Mechanical Equipments such as Reciprocating Compressors, Close Coupled and Base Mounted Pumps, Packaged Air Handling Units, Condensing Units, Roof Top Air Handling Units, Air Cooled / Water Cooled Chillers, Centrifugal / Axial Fans, Internal Combustion Engines, Generators, Drop Hammers, Punch Presses upto static deflection requirement of upto 50 mm.

3. Product Features:

- 3.1 Spring elements are designed to operate without Spring Buckling and shall have minimum of 50% overload capacity. Horizontal stiffness is 80% of vertical stiffness with working deflection max. 60% at Rated Load.
- 3.2 Spring mount has external leveling arrangements to ensure equipment is in level condition after installation.
- 3.3 Deflection can be provided for 25 mm and 50 mm at Rated Load.
- 3.4 Inner walls of lower casing have resilient rubber Snubbers which
 - 3.4.1 Provides a smooth guide for the top casing.
 - 3.4.2 Prevents metal to metal contact
 - 3.4.3 Limits lateral movement during startups, shutdown and due to horizontal wind load.
- 3.5 Thick Ribbed Neoprene Pads are provided below the springs which provide noise barrier for high frequencies which may otherwise be transmitted to building structures. 10 mm thick neoprene sound pads are provided.
- 3.6 Springs are powder coated with individual colours to facilitate identification.
- 3.7 Springs and Casings are powder coated upto 100 Microns with 1,000 Hours of Salt Spray Rating conforming to ASTM B-117.
Option:
 - 3.7.1 Frame Hot Dip Galvanised (Prefix Part Number with "HDG")
 - 3.7.2 Spring Neoprene Coated (Prefix Part Number with "N")
 - 3.7.3 Spring Plastic Coated (Prefix Part Number with "P")

4. Selection / Ordering:

While calculating operating equipment weight, variables such as weight of water, weight of pipe fittings, valves etc should be taken into consideration to arrive at the actual loading on the spring.

5. Installation Guide lines:

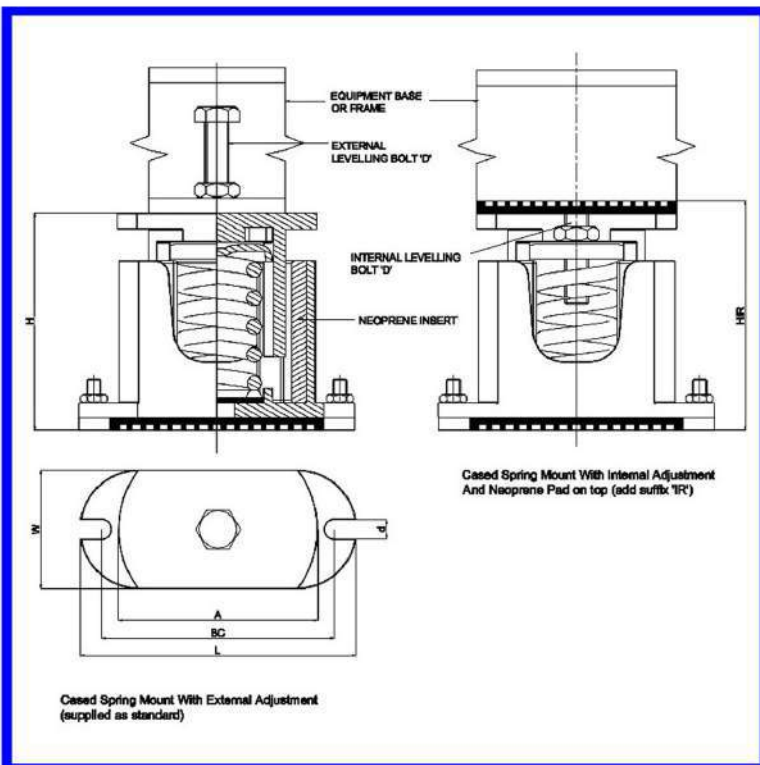
Detailed installation guidelines are included in the spring mount package.



SELECTION TABLE FOR 25 mm DEFLECTION CASED SPRING MOUNTS (Table No: C-02-01)

Isolator Model	Rated Load (kg)	Spring Colours	Dimensions (mm)							
			L	W	H*	HIR*	A	BC	D	d
SCSM-A50	50	Black	137	55	98	114	87	120	3/8"	12
SCSM-A100	100	Blue								
SCSM-A150	150	Grey								
SCSM-A200	200	Orange	165	67	112	132	107	145	1/2"	14
SCSM-B200	200	Black								
SCSM-B250	250	Yellow								
SCSM-B300	300	Blue								
SCSM-B400	400	Grey	187	80	134	158	129	165	5/8"	14
SCSM-C400	400	Brown								
SCSM-C500	500	Grey								
SCSM-C600	600	Orange								
SCSM-C700	700	Green								
SCSM-C800	800	Pink								
SCSM-C1000	1000	White								
SCSM-C1200	1200	Purple	187	80	146	170	129	165	5/8"	14
SCSM-C1400	1400	Purple/Yellow								
SCSM-C1600	1600	Purple/White								
SCSM-C2000	2000	White								
SCSM-2C2400	2400	Purple	277	80	156	185	219	255	7/8"	14
SCSM-2C2800	2800	Purple/Yellow								
SCSM-2C3200	3200	Purple/White								
SCSM-4C4000	4000	White	261	155	165	199	203	239	1"	14
SCSM-4C4800	4800	Purple								
SCSM-4C5600	5600	Purple/Yellow								
SCSM-4C6400	6400	Purple/White								

* Represents average free height in each grouping of models. Height of some models in group may vary slightly from this figure.



Cased Spring Mount
25 mm & 50 mm



SELECTION TABLE FOR 50 mm DEFLECTION CASED SPRING MOUNTS (Table No: C-03-01)

Isolator Model	Rated Load (kg)	Spring Colours	Dimensions (mm)							
			L	W	H'	HIR'	A	BC	D	d
SCSM50-B50	50	Red	165	67	135	155	107	145	½"	14
SCSM50-B100	100	Yellow								
SCSM50-B150	150	Blue								
SCSM50-C200	200	Green	187	80	145	169	129	165	5/8"	14
SCSM50-C250	250	Red								
SCSM50-C300	300	Black	187	80	153	177	129	165	5/8"	14
SCSM50-C400	400	Yellow								
SCSM50-C500	500	Black/Green								
SCSM50-C600	600	Yellow/Green								
SCSM50-G700	700	Black	203	95	178	202	145	181	5/8"	14
SCSM50-G800	800	Yellow								
SCSM50-G1000	1000	Blue								
SCSM50-G1200	1200	Blue/Green								
SCSM50-G1400	1400	Blue/Brown								
SCSM50-2G1600	1600	Yellow	311	95	188	217	253	289	7/8"	14
SCSM50-2G2000	2000	Blue								
SCSM50-2G2400	2400	Blue/Green								
SCSM50-2G2800	2800	Blue/Brown								
SCSM50-4G3200	3200	Yellow	295	185	197	231	237	273	1"	14
SCSM50-4G4000	4000	Blue								
SCSM50-4G4800	4800	Blue/Green								
SCSM50-4G5600	5600	Blue/Brown								

* Represents average free height in each grouping of models. Height of some models in group may vary slightly from this figure.



Note:

- Due to policy of continual improvement, the specifications are subject to change without prior notice.
- Measurements are subject to 5% tolerance.
- To achieve good sound suppression, do not overload fitting.